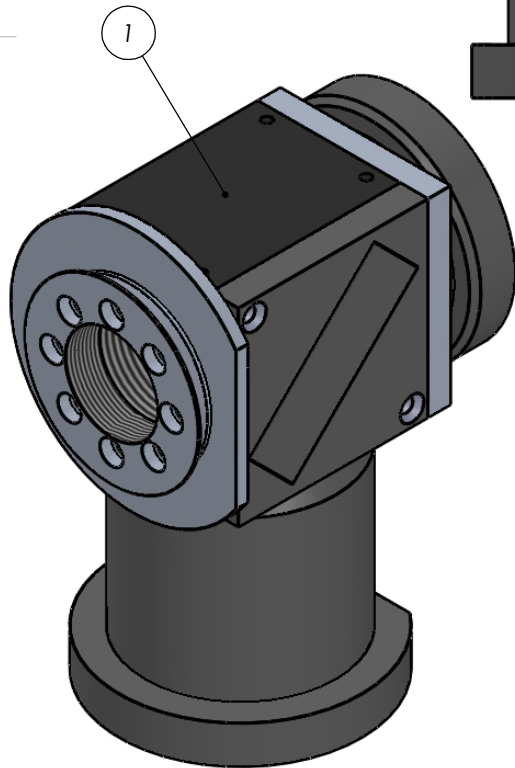
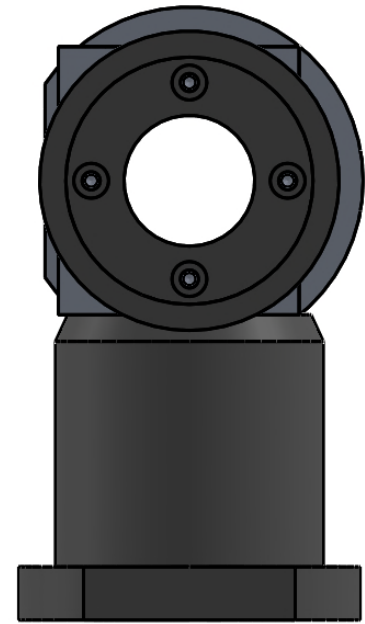
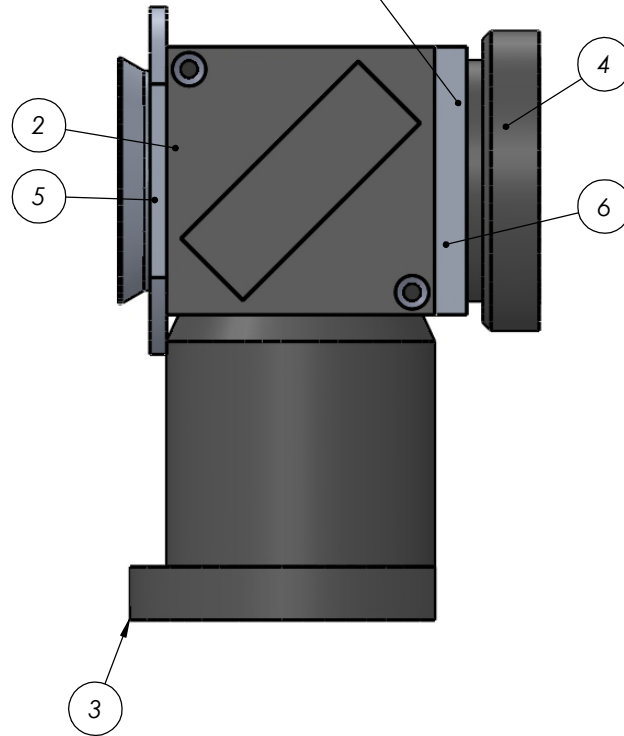
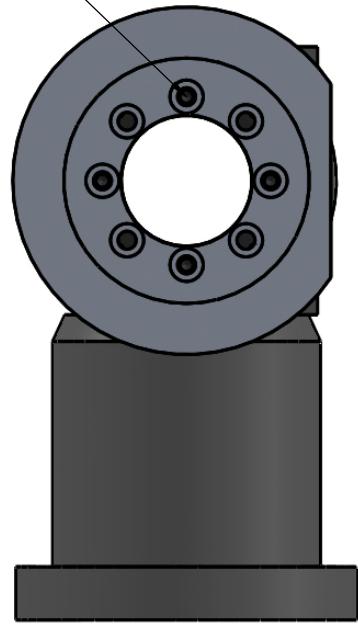


New M3 Holes Added to adapter plate & Cube

New Adapter plate screwed to existing holes in Cube



ITEM NO.	PART NUMBER	DESCRIPTION	QTY.
1	DSI-CUBE-OL-UA_Cube	WIMM Computational Biology Modified Part	1
2	DSI-CUBE-OL-UA_Cube_Plate		1
3	DSI-CUBE-OL-UA_Cube_Cylindrical Clamp Post		1
4	DSI-CUBE-OL-UA_Cube_Adapter Ring A		1
5	DSI-CUBE-OL-UA_Cube_Adapter Ring B	Modified part	1
6	DSI-CUBE-OL-UA_Cube_Adapter Plate 1	Manufactured part	1

UNLESS OTHERWISE SPECIFIED:  
DIMENSIONS ARE IN MILLIMETERS  
SURFACE FINISH:  
TOLERANCES: ISO 2748 class 1  
LINEAR: 0.5 up to 6 ±0.05  
over 6 up to 30 ±0.1  
over 30 up to 120 ±0.15  
over 120 up to 400 ±0.2  
ANGULAR: 1 deg

FINISH:

DEBUR AND  
BREAK SHARP  
EDGES

DO NOT SCALE DRAWING

REVISION A-01

DESCRIPTION:

TITLE:

MIGHTEX\_Cube Adaptor

DESIGN jprentice  
DRAWN  
APPVD

NAME SIGNATURE DATE  
25/10/2018

DWG NO.

A3

MFG

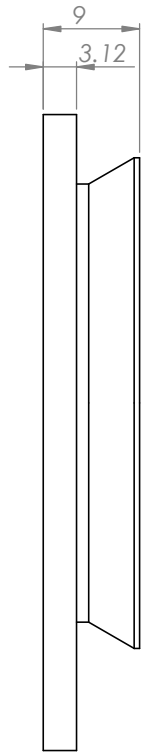
MATERIAL:

Q.A.

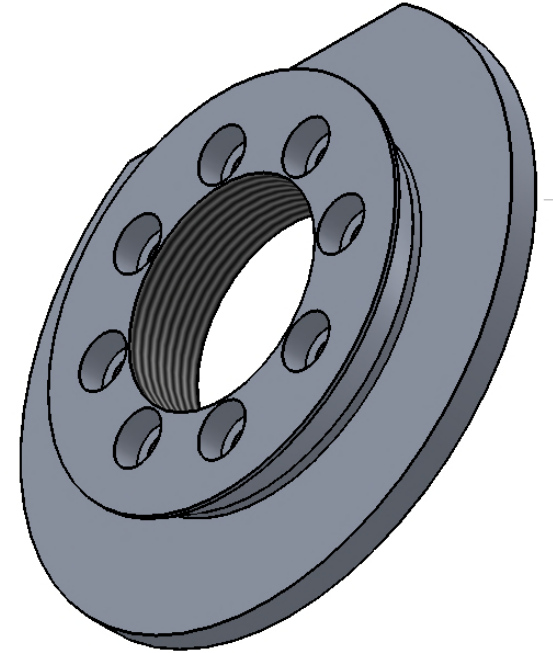
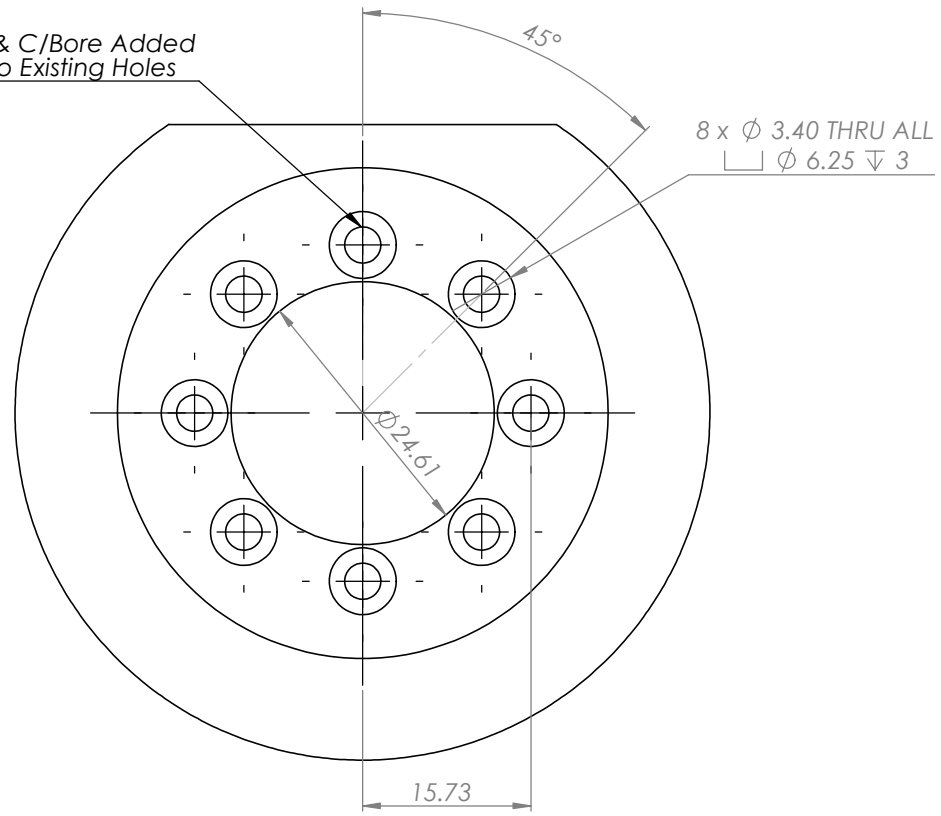
WEIGHT:

SCALE: 1:2

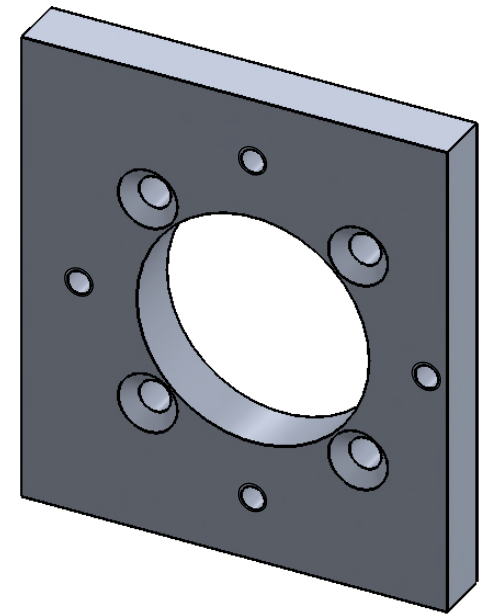
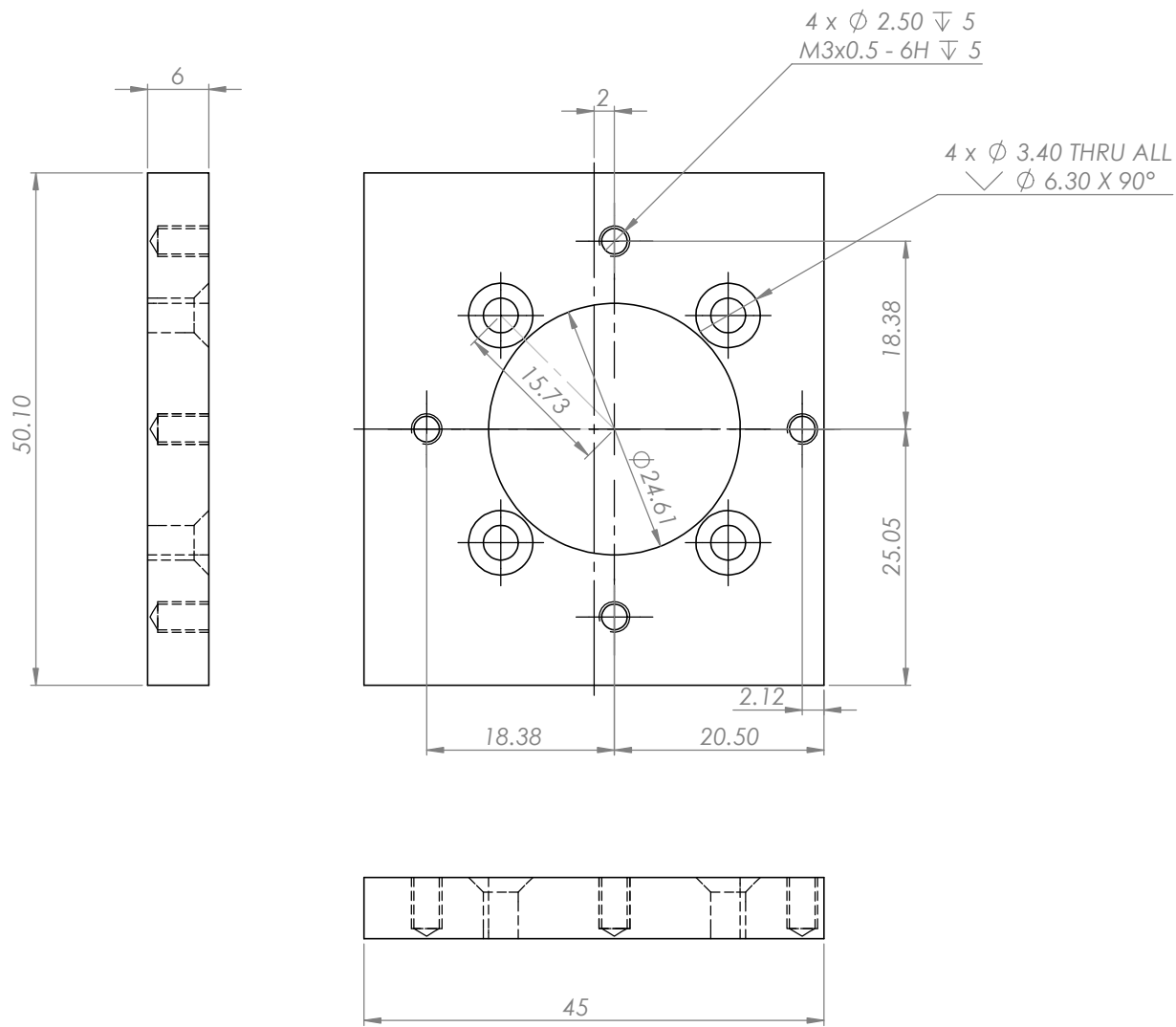
SHEET 1 OF 1



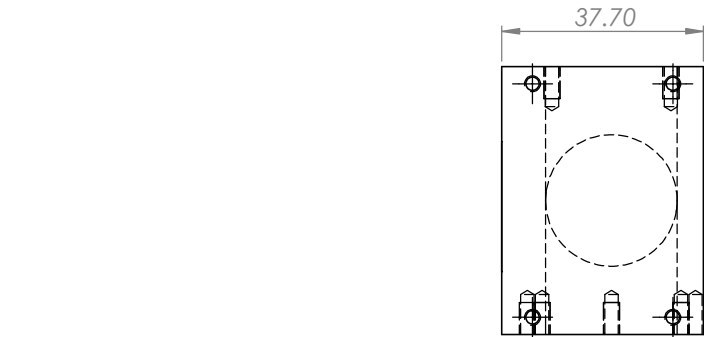
4 x M3 CL & C/Bore Added at 90 Deg to Existing Holes



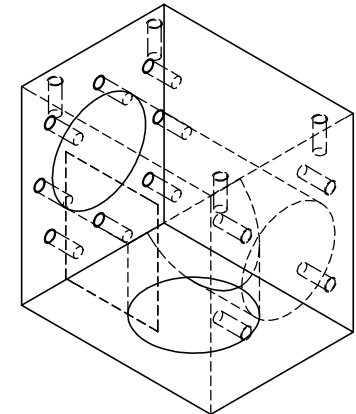
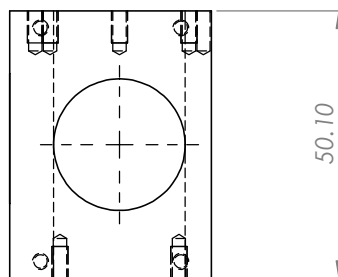
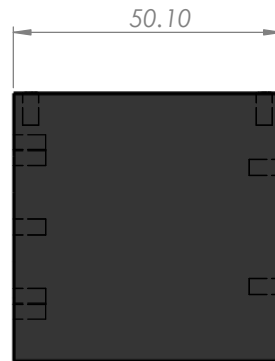
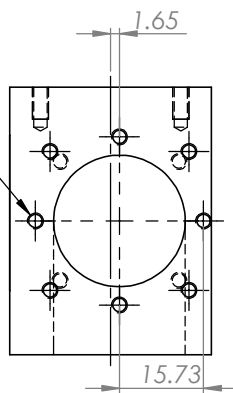
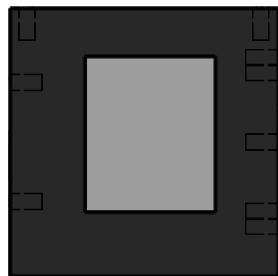
UNLESS OTHERWISE SPECIFIED: DIMENSIONS ARE IN MILLIMETERS			FINISH:		DEBUR AND BREAK SHARP EDGES		DO NOT SCALE DRAWING		REVISION A-01		
SURFACE FINISH: TOLERANCES: ISO 2768 class f LINEAR: 0.5 up to 6 ±0.05 over 6 up to 30 ±0.1 over 30 up to 120 ±0.15 over 120 up to 400 ±0.2 ANGULAR: 1 deg							DESCRIPTION: <b>Modified part</b>				
DESIGN	NAME	SIGNATURE	DATE			TITLE: <b>DSI-CUBE-OL-UA_Cube_Adapter Ring B</b>					
DRAWN			24/10/2018								
APPVD											
MFG						MATERIAL: <b>1060 Alloy</b>		DWG NO. <b>000-2111</b>		A3	
Q.A											
Vendor											
Vendor Number						WEIGHT:		SCALE: 1:1		SHEET 1 OF 1	



UNLESS OTHERWISE SPECIFIED: DIMENSIONS ARE IN MILLIMETERS SURFACE FINISH: TOLERANCES: ISO 2768 class f LINEAR: 0.5 up to 6 ±0.05 over 6 up to 30 ±0.1 over 30 up to 120 ±0.15 over 120 up to 400 ±0.2 ANGULAR: 1 deg				FINISH:		DEBUR AND BREAK SHARP EDGES		DO NOT SCALE DRAWING		REVISION A-01	
DESIGN								TITLE:			
DRAWN								DSI-CUBE-OL-UA_Cube_Adapter Plate 1			
APPVD								DWG NO. 000-2112			
MFG								MATERIAL:		A3	
Q.A.								1060 Alloy		SCALE:2:1	
Vendor								WEIGHT:		SHEET 1 OF 1	
Vendor Number											

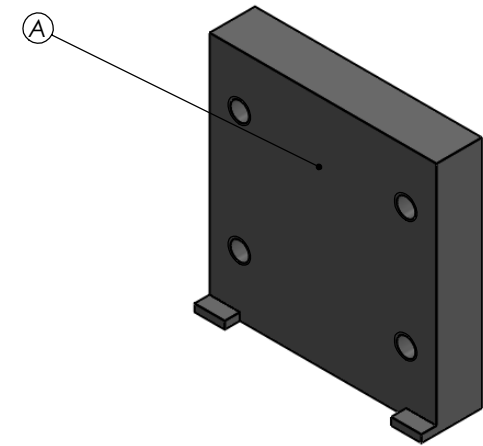
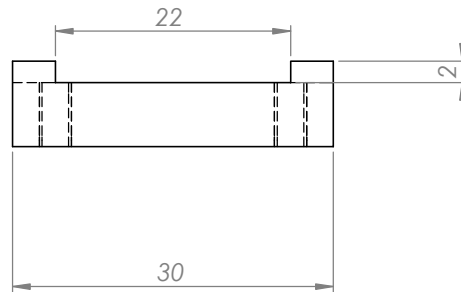
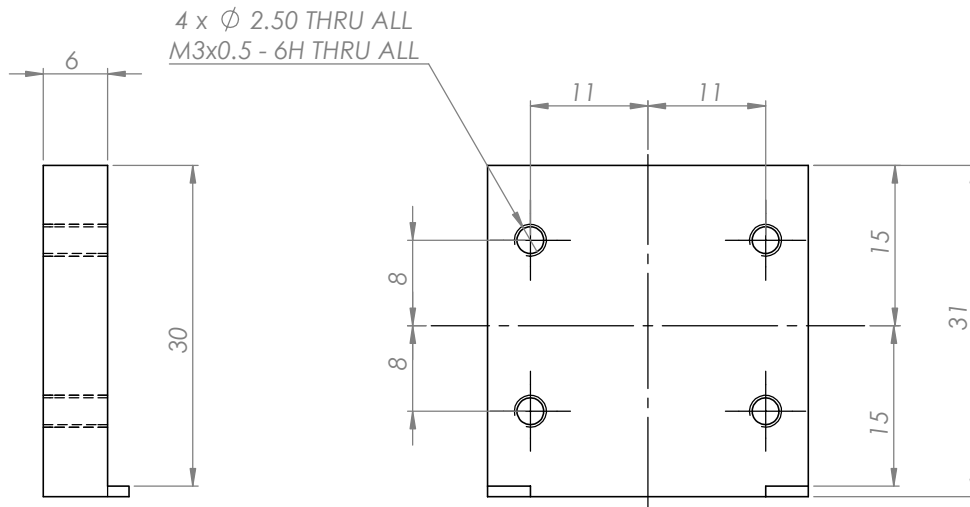


4 x M3 Tapped Holes added



UNLESS OTHERWISE SPECIFIED: DIMENSIONS ARE IN MILLIMETERS				FINISH:		DEBUR AND BREAK SHARP EDGES		DO NOT SCALE DRAWING		REVISION		A-01		
SURFACE FINISH: TOLERANCES: ISO 2768 class f LINEAR: 0.5 up to 6 ±0.05 over 6 up to 30 ±0.1 over 30 up to 120 ±0.15 over 120 up to 400 ±0.2 ANGULAR: 1 deg								DESCRIPTION: <b>WIMM Computational Biology Modified Part</b>						
DESIGN		NAME		SIGNATURE		DATE						TITLE: <b>DSI-CUBE-OL-UA_Cube</b>		
DRAWN						25/10/2018								
APPVD														
MFG														
Q.A								MATERIAL: <b>1060 Alloy</b>		DWG NO. <b>000-2113</b>		A3		
Vendor														
Vendor Number								WEIGHT:		SCALE: 1:1		SHEET 1 OF 1		

REVISIONS				
ZONE	REV.	DESCRIPTION	DATE	APPROVED
D3	A	2 Off Required	20/11/2018	



UNLESS OTHERWISE SPECIFIED: DIMENSIONS ARE IN MILLIMETERS SURFACE FINISH: TOLERANCES: ISO 2768 class f LINEAR: 0.5 up to 6 ±0.05 over 6 up to 30 ±0.1 over 30 up to 120 ±0.15 over 120 up to 400 ±0.2 ANGULAR: 1 deg			FINISH:	DEBUR AND BREAK SHARP EDGES	DO NOT SCALE DRAWING	REVISION	A-02
DESIGN	NAME	SIGNATURE	DATE		DESCRIPTION:		
DRAWN	jprentice		19/11/2018		TITLE:		
APPVD					WIMM_30 x 30 x 30 Prism_Adapter Plate		
MFG					DWG NO.		
Q.A				MATERIAL:	000-2176		A3
Vendor				40% GF PPS			
Vendor Number				WEIGHT:	SCALE:2:1	SHEET 1 OF 1	